

SPECIFICATIONS

GRAPHIC PANEL SIZES

Finished graphic panel size

2300 x 850/800mm

[Includes 200mm bleed]

Visual graphic area

2100 x 850/800mm

SYSTEM SIZES

Boxed size

850mm - 900 [l] x 105 [w] x 105 [d]mm

800mm - 850 [l] x 105 [w] x 105 [d]mm

Assembled size

850mm - 865 [w] x 270 [d] x 2185 [h]mm

800mm - 815 [w] x 270 [d] x 2185 [h]mm

BOXED WEIGHT

850mm - 2.1kg

800mm - 2.0kg

NOTE: Please test your substrate suitability before use.

COMPONENT LIST

1x unit

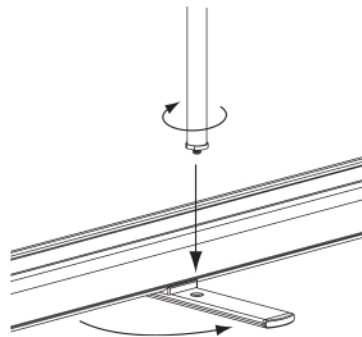
1x 3 part telescopic pole

1x Graphic hanger including self-adhesive hanging strip

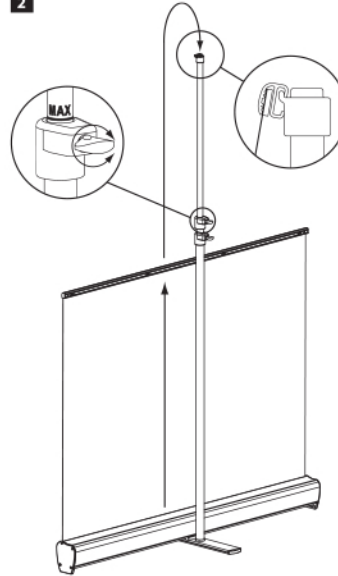
1x Carry bag

BANNERSTAND ASSEMBLY INSTRUCTIONS

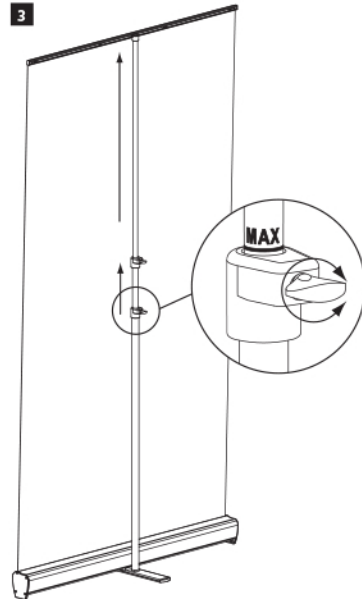
1



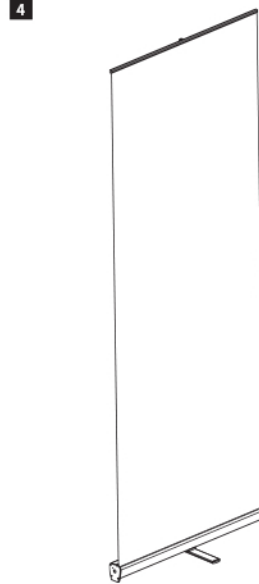
2



3



4



IMPORTANT NOTICE:

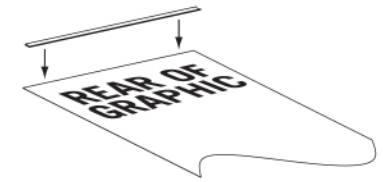
When retracting a graphic always slowly guide it into base housing, otherwise graphic damage may occur.

GRAPHIC ATTACHMENT

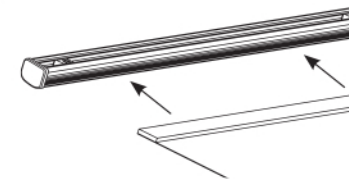
1 Use allen key that is stored in underside of foot.



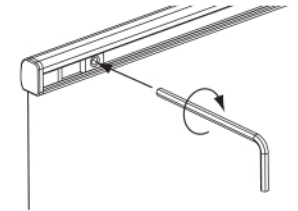
2 Attach self-adhesive hanging strip to rear top edge of graphic.



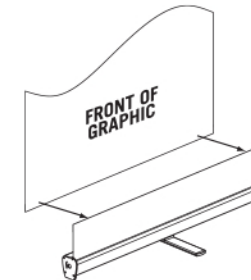
3



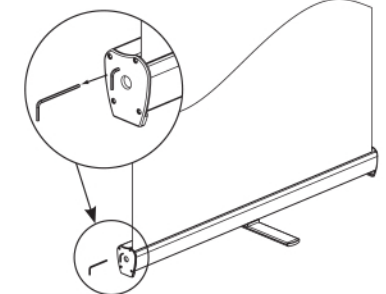
4



5 Attach front bottom edge of graphic panel to double-sided tape on leader sheet.



6 Holding onto the graphic, remove the locking pin and allow it to slowly retract into the unit.



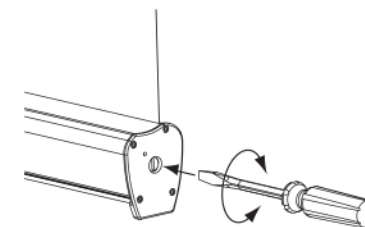
IMPORTANT NOTICE:

To ensure a proper bond between graphic and double-sided tape, pressure must be applied. The adhesive should be allowed to cure for 24 hours before use.

ADDING OR REMOVING GRAPHIC TENSION

ADDING TENSION

Insert a standard flat headed screwdriver into slot located in the end of unit and turn clockwise to add extra graphic tension.



REMOVING TENSION

To un-tension graphic panel place a flat headed screwdriver into the slot and push to disengage ratchet. Hold in and turn anti-clockwise until tension in spring is released. To remove graphic panel carefully peel it off leader sheet. The graphic hanger can also be removed or a new hanger can be purchased.

Printing.ie