

CLASSIC SPECIFICATIONS

Classic - Visual Panel Area

750 x 500mm

SYSTEM SIZES

BOXED SIZE

Classic

935 (H) x 585 (W) x 85 (D) mm
560 (H) x 485 (W) x 120 (D) mm

ASSEMBLED SIZE

Classic

915 (H) x 585 (D) x 475 (D) mm

BOXED WEIGHT

Classic 11.8kg

COMPONENT LIST

Classic

- 1 off recycled PVC base
- 1 off aluminium panel
- 1 off steel frame
- 1 off 4mm allen key

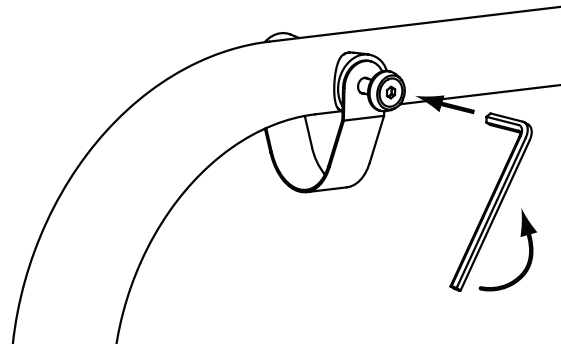
Items attached to steel frame:

- 2 off panel hanging clip
- 4 off screw
- 4 off saddle washer
- 4 off finishing washer

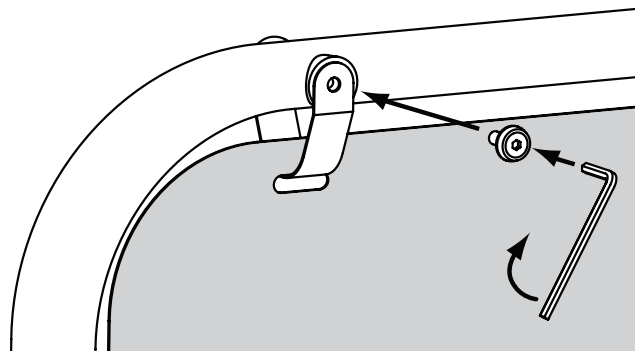
See overleaf for Switch specifications and components list

SWITCH/CLASSIC - PANEL ATTACHMENT

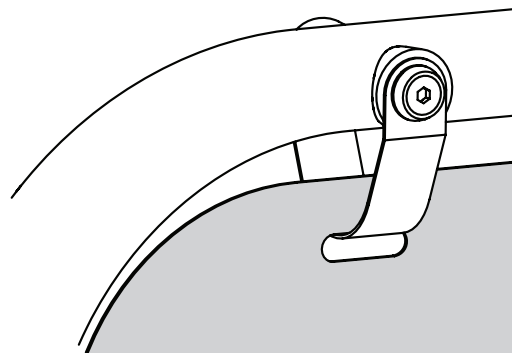
- A** Remove screw and fixings from one side of each panel hanging clip using a 4mm allen key.



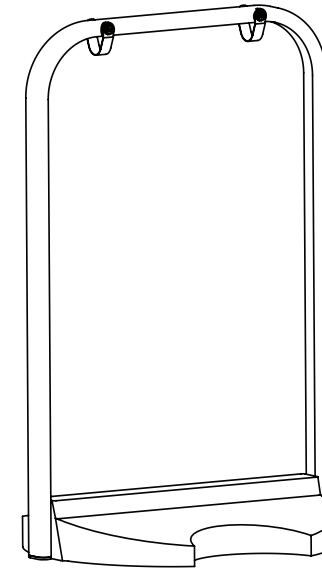
- B** Locate panel onto the panel hanging clips. Reassemble the panel hanging clips using the screws and fixings.



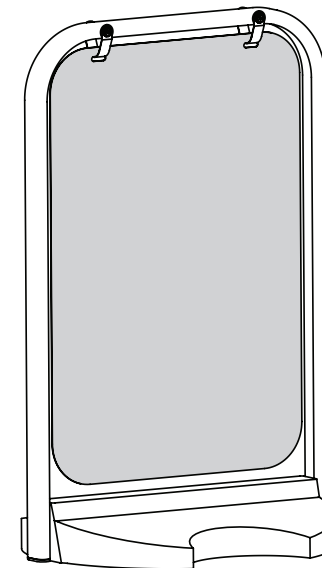
- C** Reassembled panel hanging clip.



SIGN WITHOUT PANEL



SIGN WITH PANEL ATTACHED



SWITCH SPECIFICATIONS

Switch - Graphic Panel Size

A2 (594 x 420mm)

Switch - Visual Area

574 x 400mm

SYSTEM SIZES

BOXED SIZE

Switch

935 (H) x 585 (W) x 85 (D) mm
560 (H) x 485 (W) x 120 (D) mm

ASSEMBLED SIZE

Switch

915 (H) x 585 (D) x 475 (D) mm

BOXED WEIGHT

Switch 11.8kg

COMPONENT LIST

Switch

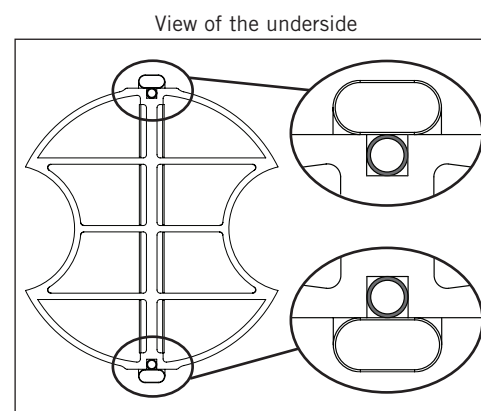
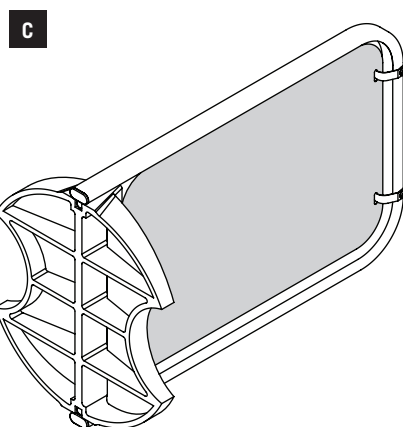
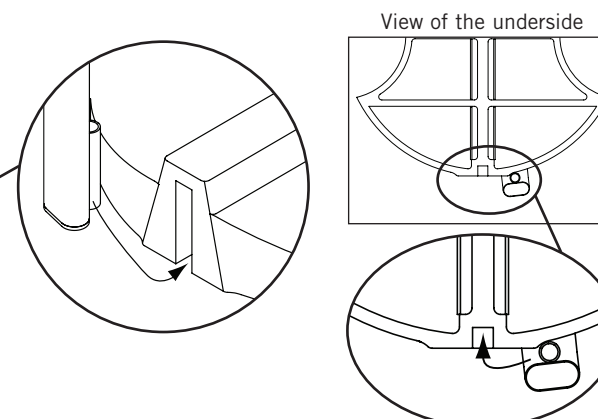
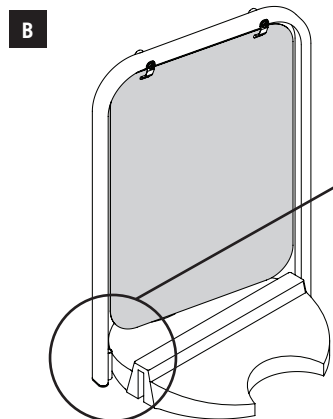
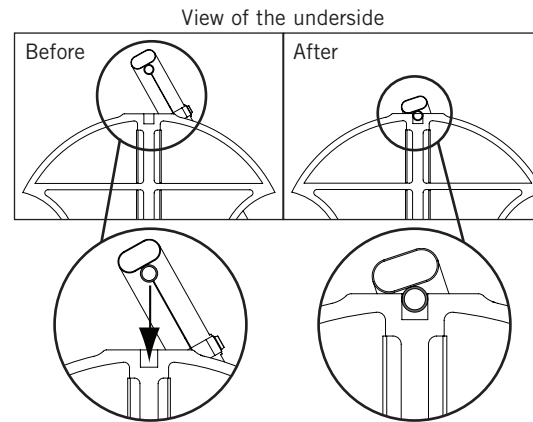
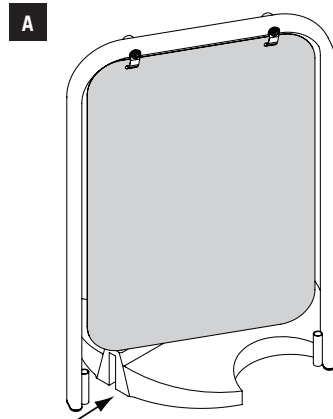
- 1 off recycled PVC base
- 1 off flexible pocket
- 1 off steel frame
- 1 off 4mm allen key

Items attached to steel frame:

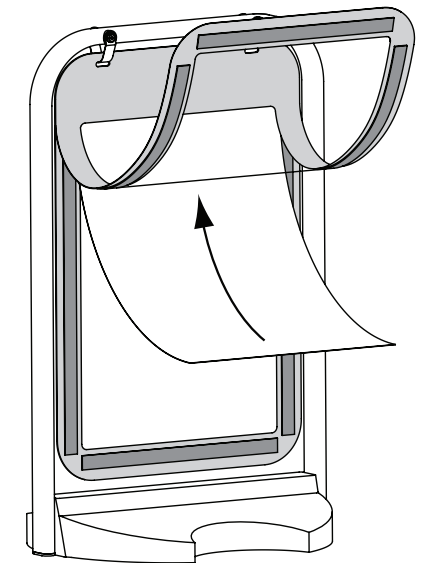
- 2 off panel hanging clip
- 4 off screw
- 4 off saddle washer
- 4 off finishing washer

See overleaf for Classic specifications and components list

SWITCH/CLASSIC - ASSEMBLY



SWITCH - ADDING GRAPHICS



SWITCH/CLASSIC - FULLY ASSEMBLED

