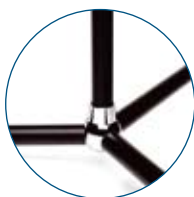


# Maxibit Stage, Super-size Fabric Graphics



## Bigger is better

Stage is a super-sized fabric graphic display that has the ability to tower well over (and then some more) what our competitors would call a huge display. Nevertheless, stage is not the over bearing display some would expect it to be, but rather adds much of the grandeur and ceremony most displays crave. As a large backdrop, Stage performs stunningly, as a room divider you will be impressed, and even when hung from the ceiling it is hard to look away. For its size, Stage's construction unbelievably easy and, after a long day at the trade fair being the centre of attention, thanks largely to stage, you need only disconnect the vertical and horizontal poles, fold the graphic and place everything into a small carry bag.

## Make it big, take it small

With an added touch of irony, Stage's carry bag is incredibly small. Not too much bigger than four briefcases lying head to toe, the systems carry bag makes it incredibly portable and you will be hard pressed to find any system, even in the Maxibit range, that is so big yet so small. All in all, the simplicity of the system belies its huge impact and the compact design of the system, a huge step in the world of portable marketing.

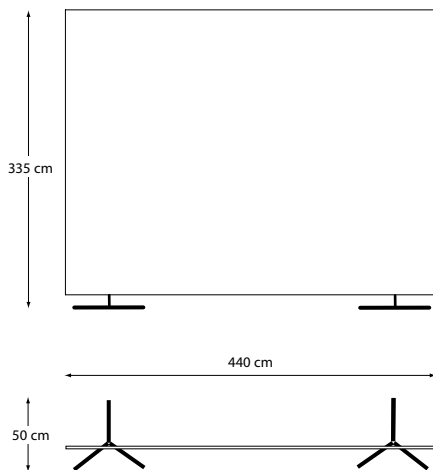
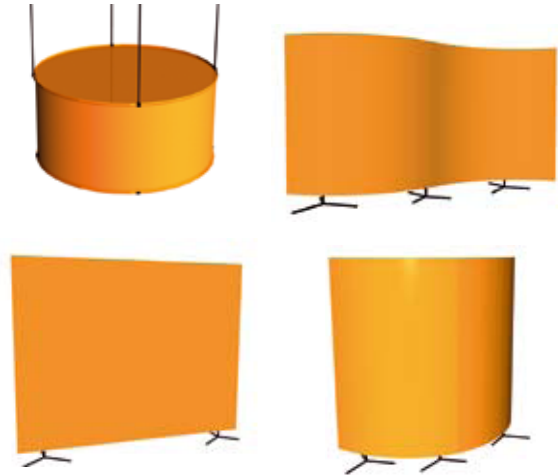
## Super-size your versatility

Stage has been engineered from an extremely strong but light weight aircraft aluminum. Its sturdy frame is not only portable but extremely durable and its various sections lock together quick and fast. Additional pieces can be purchased to add height or change its shape. What was once curved on Saturday can be as straight as an arrow come Sunday and, with the addition of some vertical poles, an already massive Stage can become gigantic in seconds. As the system is so easy to construct, you can let the heavens be your guide. Stage also stands tall and firm on one of its two foot variations – a sturdy tripod foot or the sleekness of the oval form.

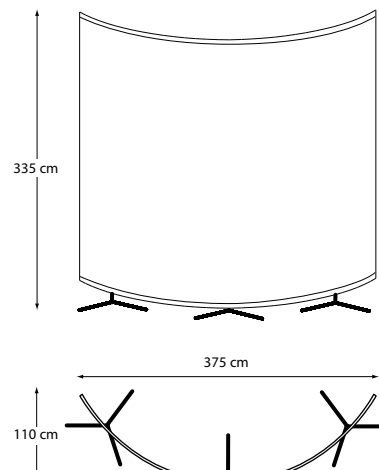


### Why choose Super-size Fabric Graphics

- Use the same graphics for different shapes
- Create curved, straight, waving s-shapes or round displays
- Use single or double sided
- Hang from the ceiling or use free-standing
- Modular system for full flexibility
- Perfect for large events, on a stage or as a room divider
- Gigantic walls that fit into a shoulder bag
- Quick graphic exchange
- Fast and easy set-up



Straight Stage 4x3



Curved Stage 4x3

Specification:	Maxibit Stage
Versions:	Straight, curved.
Graphic material:	Super-size fabric graphics.
Width:	Each horizontal section is 110 cm, curved or straight. Connect as many as you like.
Height:	Each vertical section is 110 cm.
Weight:	Stage 330 x220 cm complete with graphics and bag = 11.4 kg. Stage 440x330 cm, complete with graphics and bag = 14.2 kg.



Call us 1890 345678  
Open 24hrs online  
[www.printing.ie](http://www.printing.ie)